

 SYMMETRICAL ASSEMBLY
SYMETRICKÁ MONTÁŽ

 REMOVE
ODSTRANIT

 BEND
OHNOUT

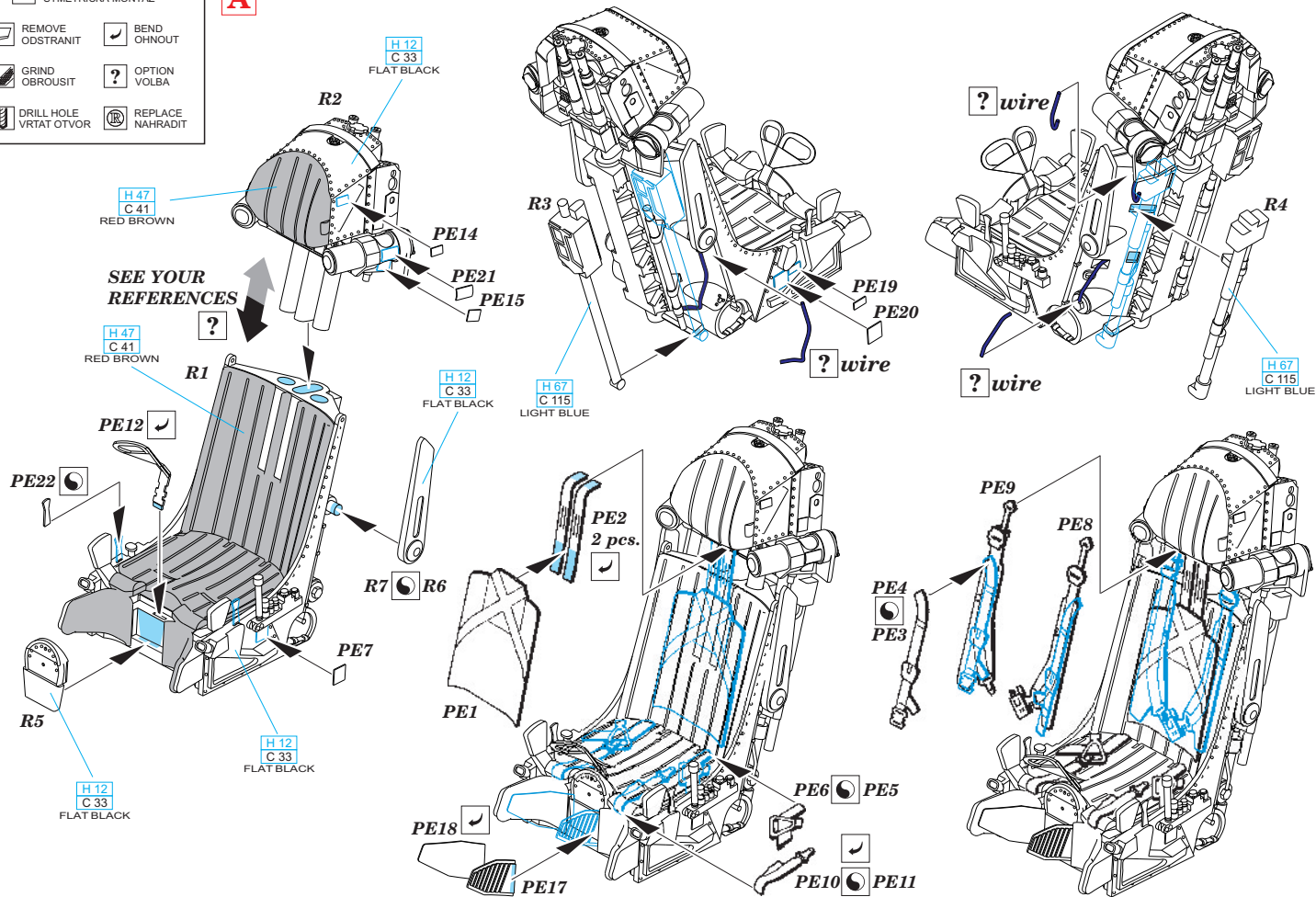
 GRIND
OBROUSIT

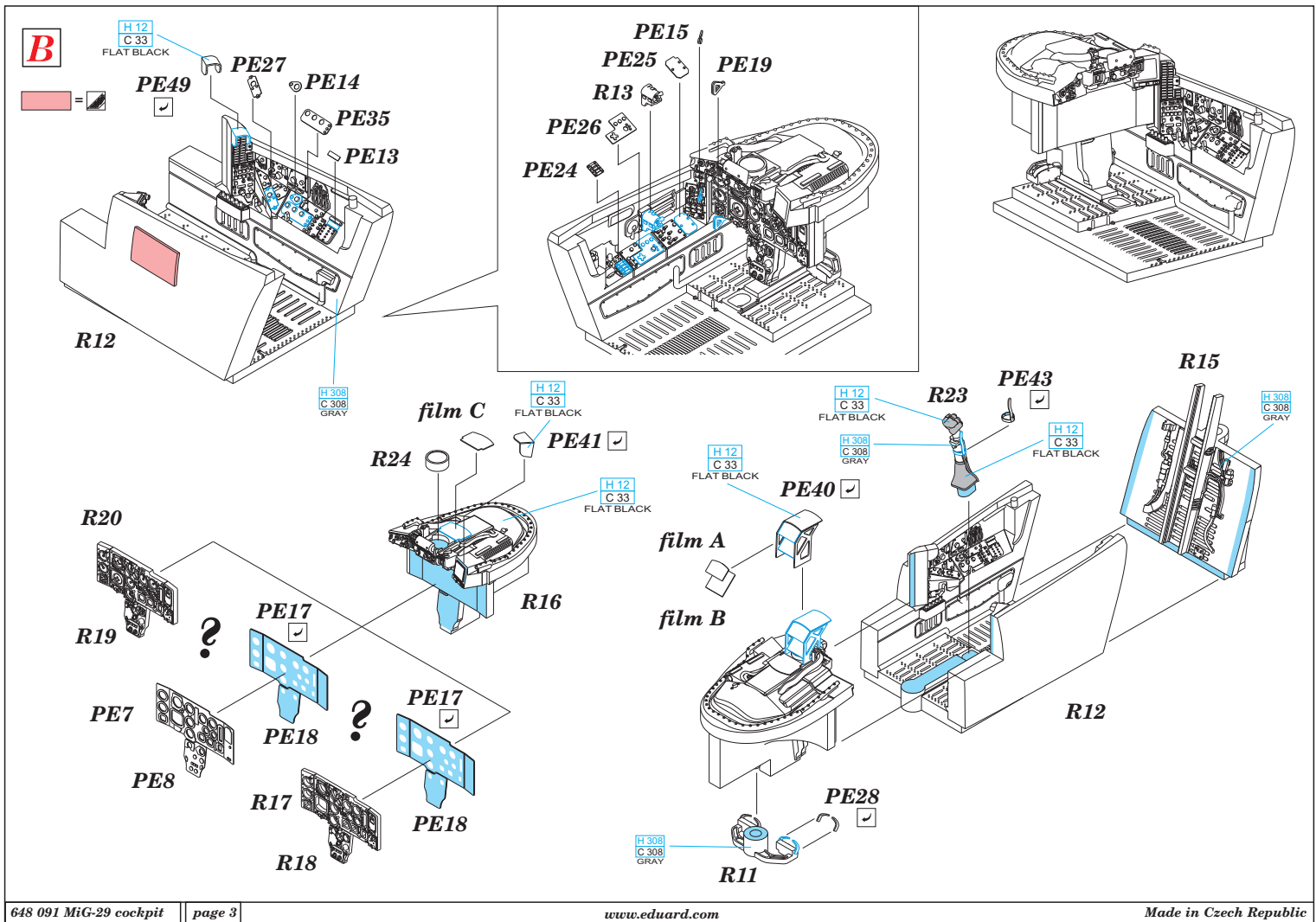
 OPTION
VOLBA

 DRILL HOLE
VRTAT OTVOR

 REPLACE
NAHRADIT

A

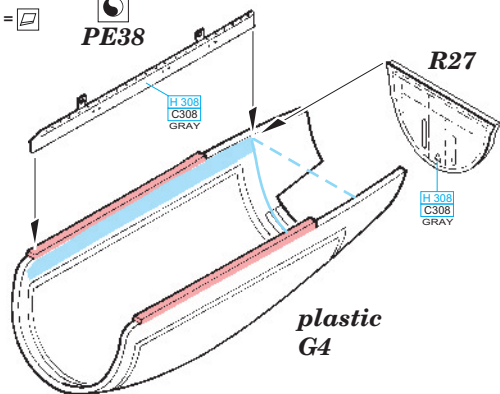




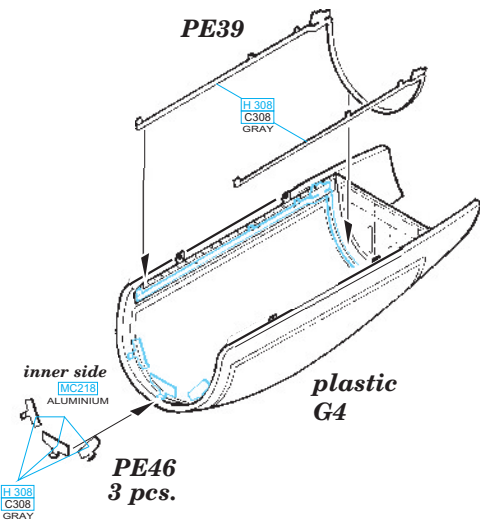
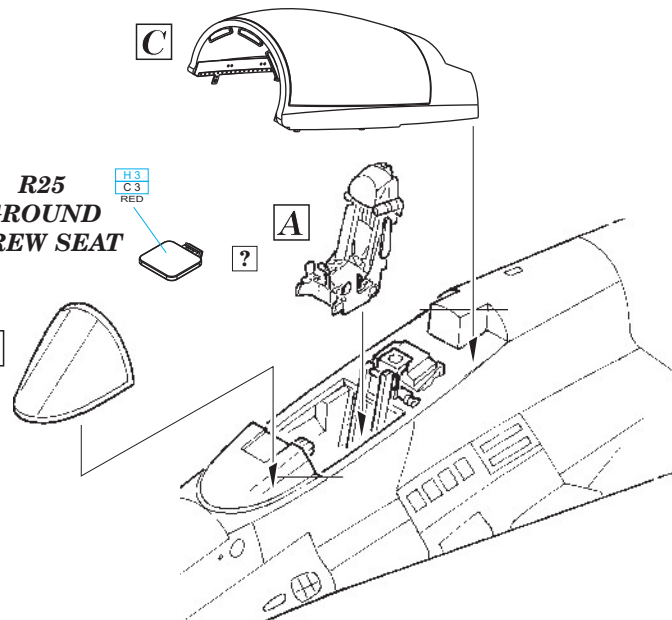
C

PE42

PE38



PE39

**C**R25
GROUND
CREW SEAT**D****D**plastic
G32 pcs.
PE51